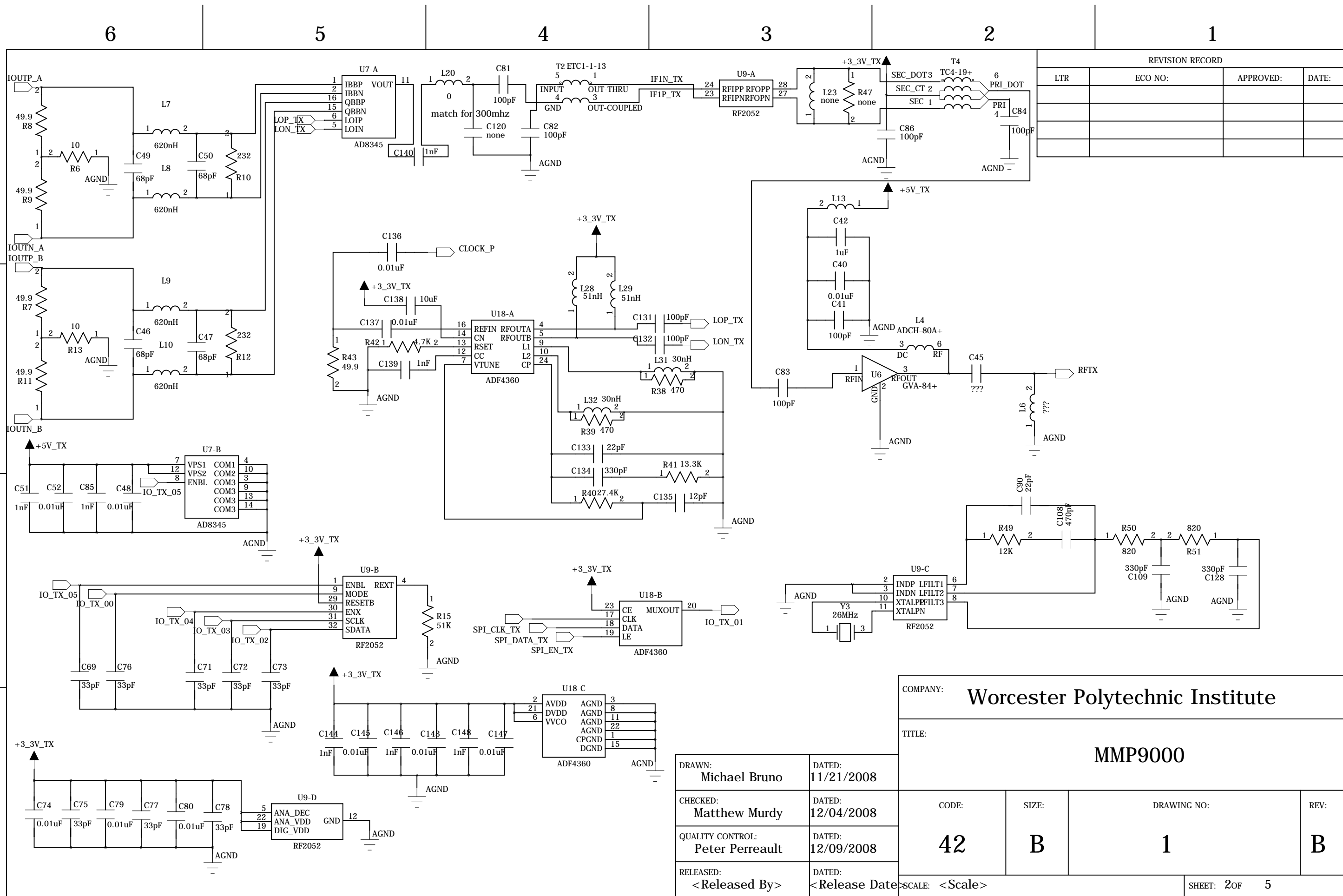


REVISION RECORD			
LTR	ECO NO:	APPROVED:	DATE:

COMPANY: Worcester Polytechnic Institute			
TITLE: MMP9000			
CODE: 42	SIZE: B	DRAWING NO: 1	REV: B
DRAWN: Michael Bruno		DATED: 11/21/2008	
CHECKED: Matthew Murdy		DATED: 12/04/2008	
QUALITY CONTROL: Peter Perreault		DATED: 12/09/2008	
RELEASED: <Released By>		DATED: <Release Date>	
SCALE: <Scale>		SHEET: 1 of 5	



REVISION RECORD			
LTR	ECO NO:	APPROVED:	DATE:

COMPANY: Worcester Polytechnic Institute			
TITLE: MMP9000			
DRAWN: Michael Bruno	DATED: 11/21/2008	CODE: 42	SIZE: B
CHECKED: Matthew Murdy	DATED: 12/04/2008	DRAWING NO: 1	REV: B
QUALITY CONTROL: Peter Perreault	DATED: 12/09/2008	SCALE: <Scale>	
RELEASED: <Released By>	DATED: <Release Date>	SHEET: 2 OF 5	

6

5

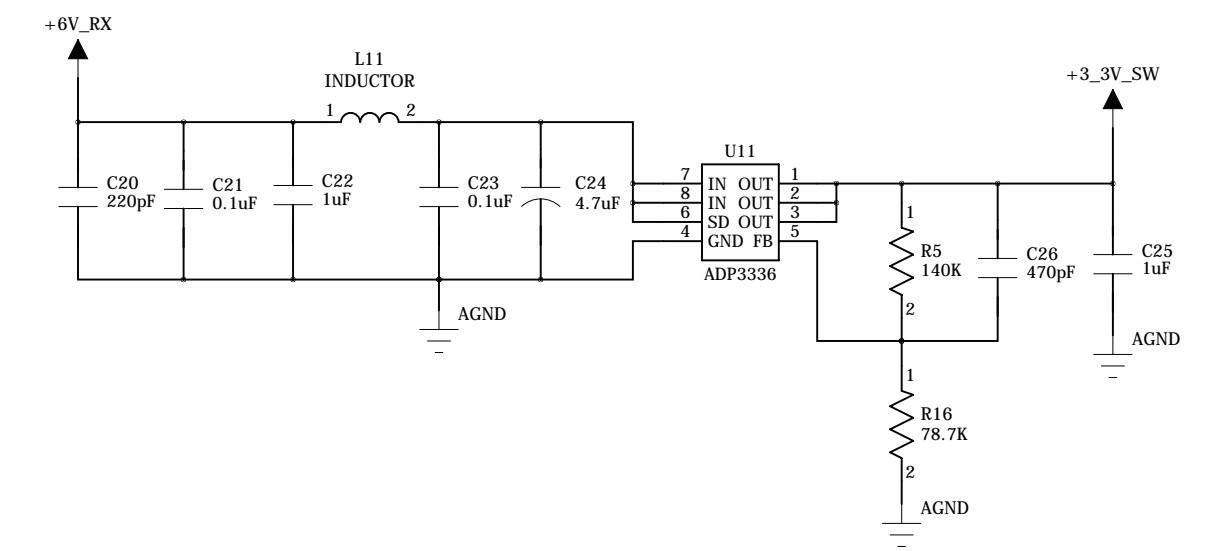
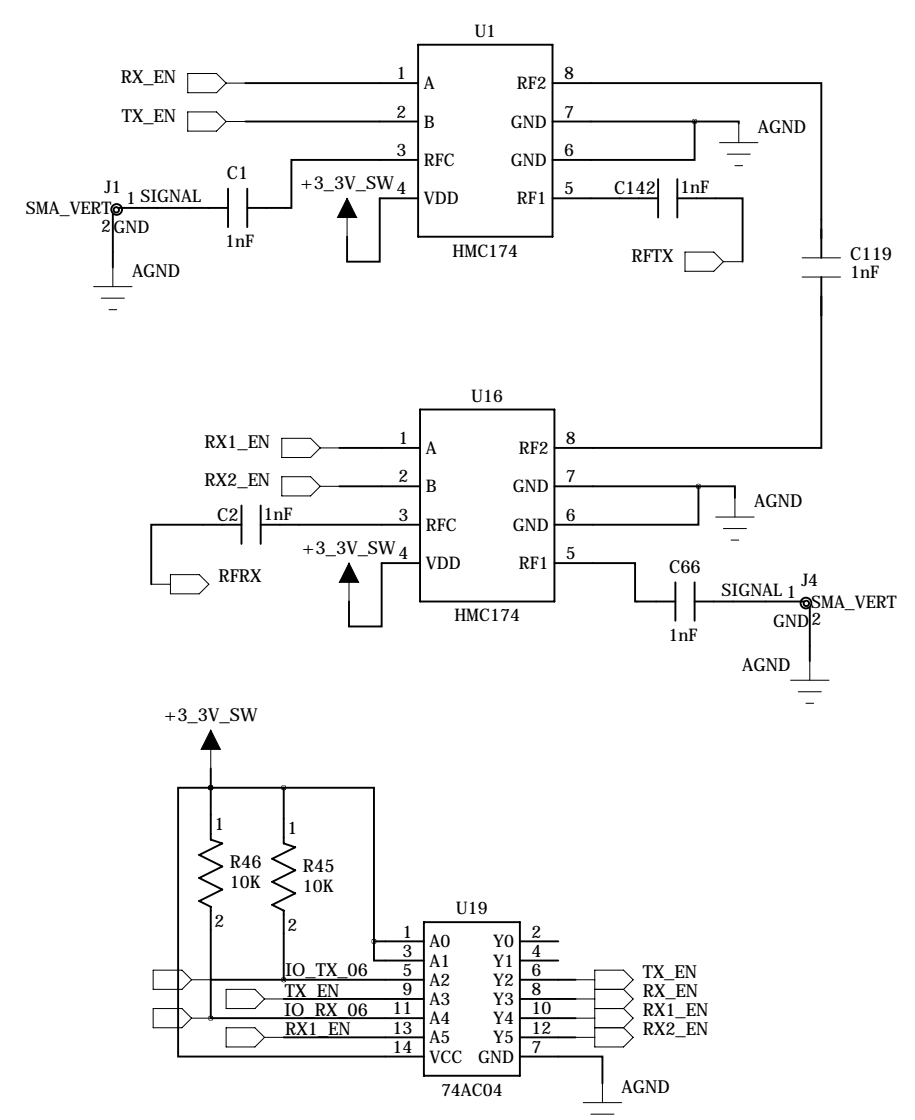
4

3

2

1

REVISION RECORD			
LTR	ECO NO:	APPROVED:	DATE:



COMPANY: Worcester Polytechnic Institute			
TITLE: MMP9000			
DRAWN: Michael Bruno	DATED: 11/21/2008	CODE: 42	SIZE: B
CHECKED: Matthew Murdy	DATED: 12/04/2008	DRAWING NO: 1	REV: B
QUALITY CONTROL: Peter Perreault	DATED: 12/09/2008	SHEET: 3 of 5	
RELEASED: <Released By>	DATED: <Release Date>	SCALE: <Scale>	

D

C

B

A

D

C

B

A

6

5

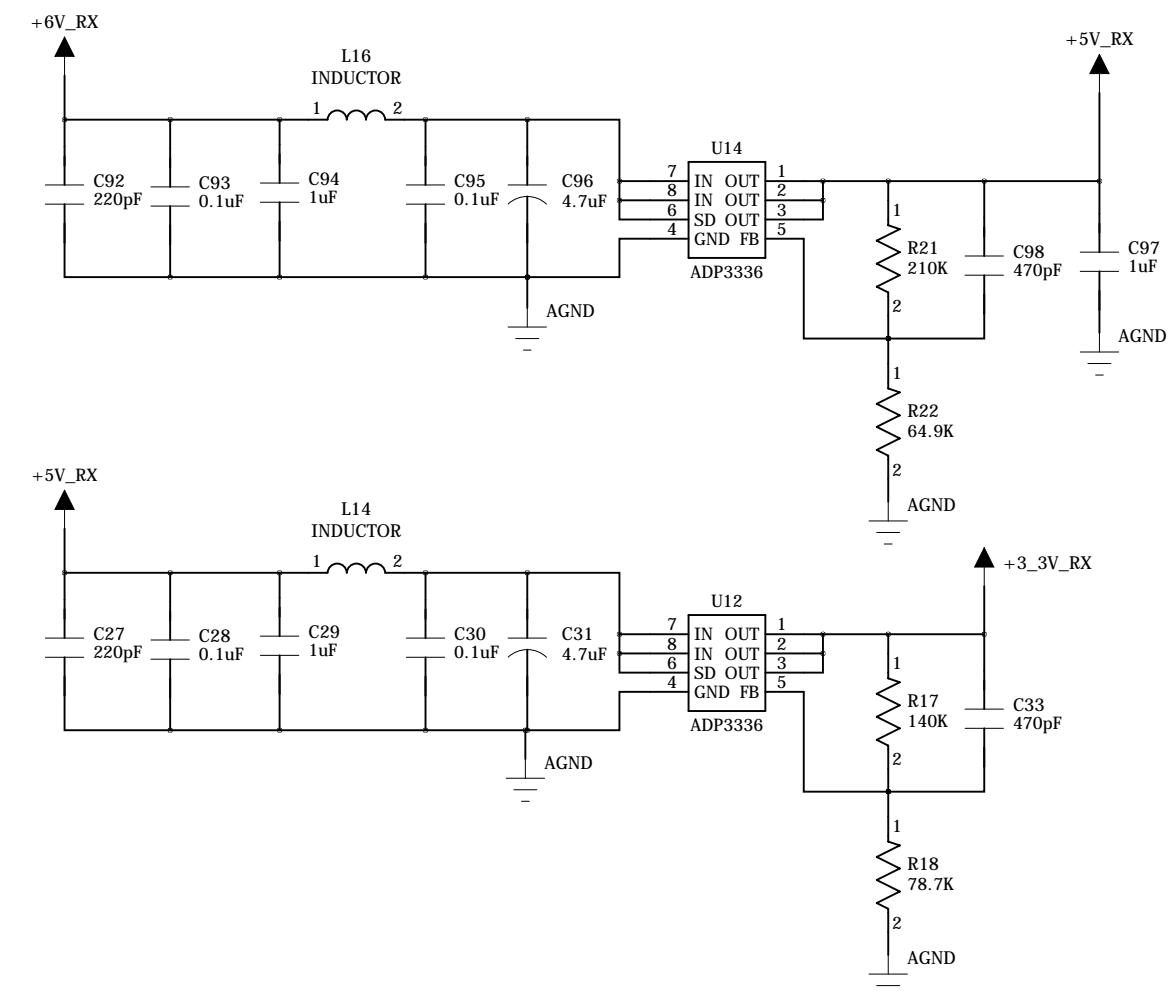
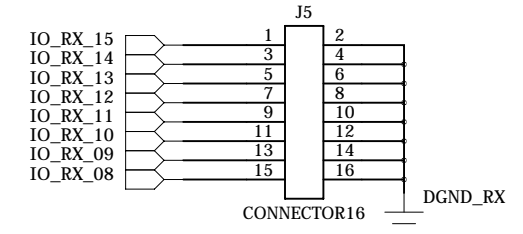
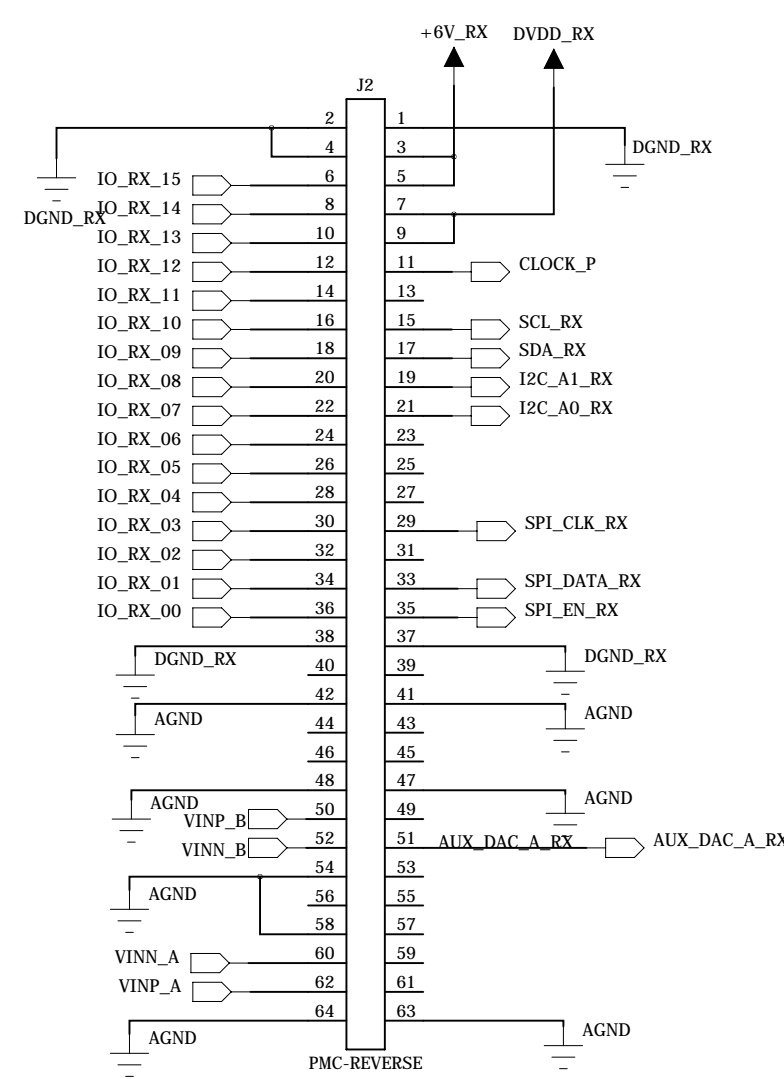
4

3

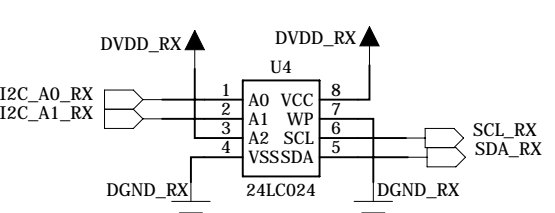
2

1

REVISION RECORD			
LTR	ECO NO:	APPROVED:	DATE:



A



COMPANY: Worcester Polytechnic Institute			
TITLE: MMP9000			
DRAWN: Michael Bruno	DATED: 11/21/2008	CODE: 42	REV: B
CHECKED: Matthew Murdy	DATED: 12/04/2008	SIZE: B	DRAWING NO: 1
QUALITY CONTROL: Peter Perreault	DATED: 12/09/2008	SHEET: 4 OF 5	
RELEASED: <Released By>	DATED: <Release Date>	SCALE: <Scale>	

D

C

B

A

6

5

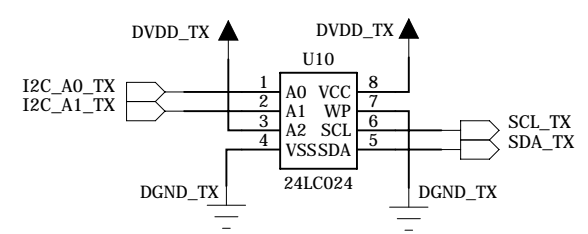
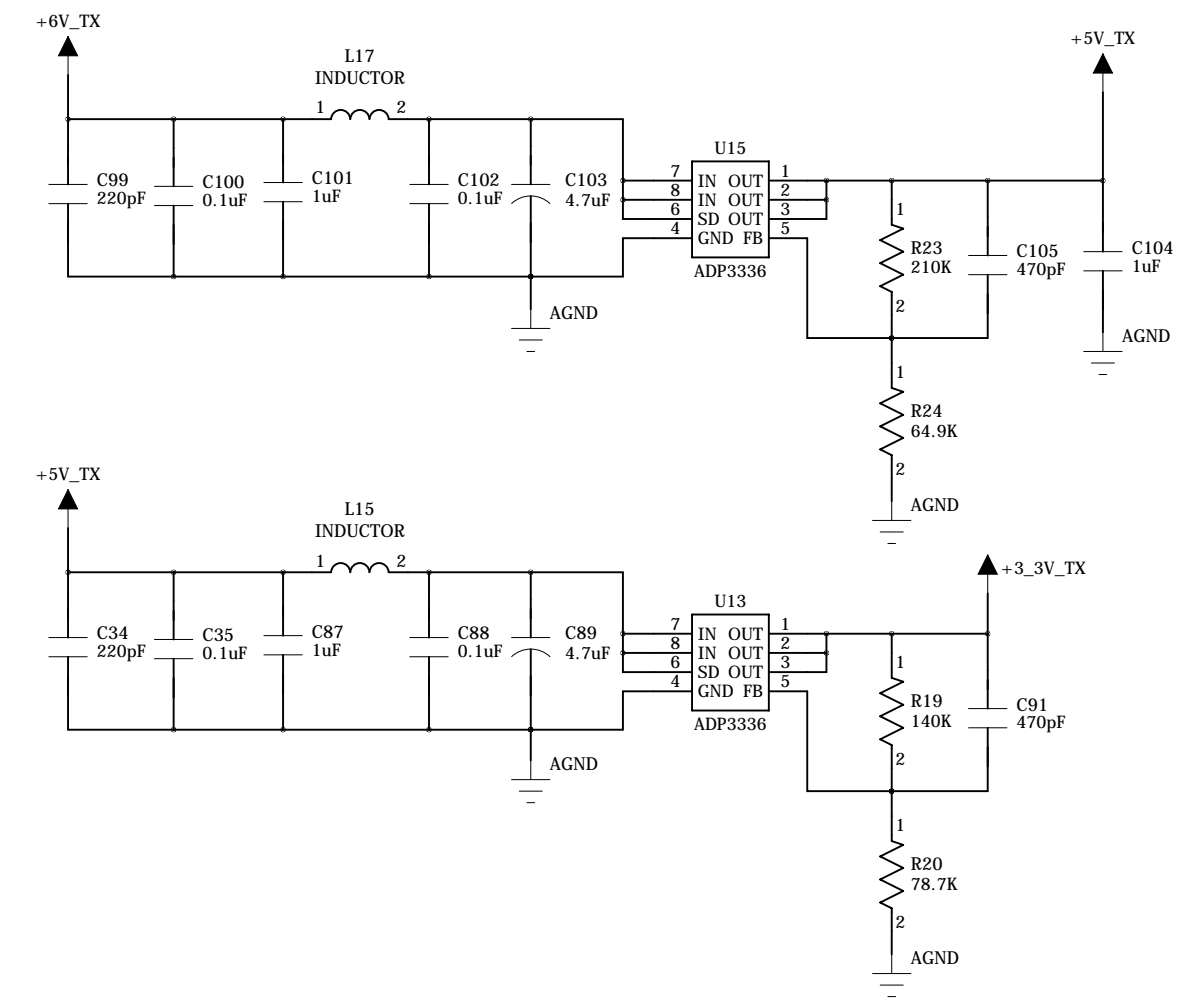
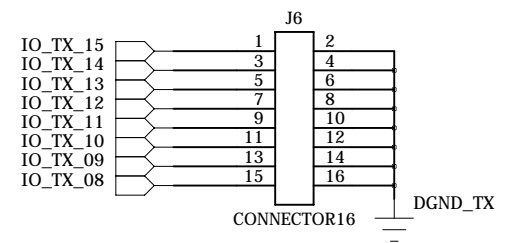
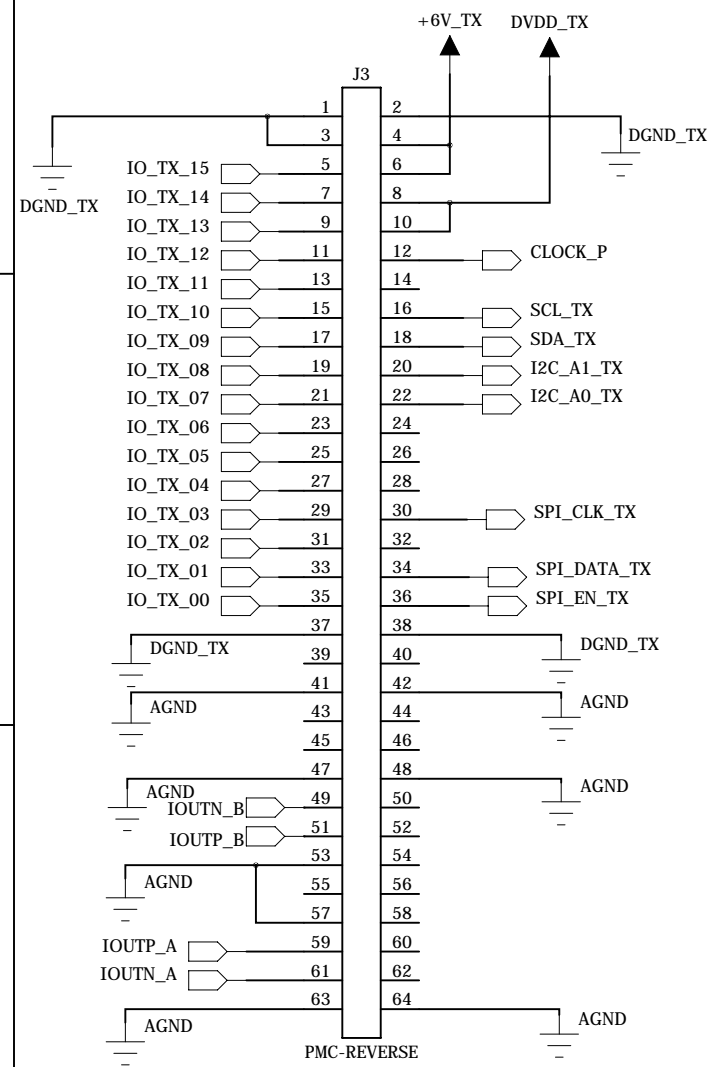
4

3

2

1

REVISION RECORD			
LTR	ECO NO:	APPROVED:	DATE:



COMPANY: **Worcester Polytechnic Institute**

TITLE: **MMP9000**

DRAWN: Michael Bruno	DATED: 11/21/2008
CHECKED: Matthew Murdy	DATED: 12/04/2008
QUALITY CONTROL: Peter Perreault	DATED: 12/09/2008
RELEASED: <Released By>	DATED: <Release Date>

CODE: 42	SIZE: B	DRAWING NO: 1	REV: B
SCALE: <Scale>			SHEET: 5 OF 5